



Kit Contents

	Description	Part No	Pcs
1	Shock absorber front	MES 1V00/2V00	2
2	Dust boot	10216-01	2
3	Plastic spacer	25602-01	2
4	Spring	47010-23	2
5	Elastic spacer	25601-01	2
6	Upper spring seat	25618-39	2
7	Top pin spacer	24629-62	2
8	Lock nut	24627-04	2
9	Click adjuster	24631-04	2
10	C-spanner	24639-01	1
11	C-spanner	24639-04	1
12	Öhlins sticker kit	10207-01	1
13	Öhlins owner manual		1

👁 Note!

Please note that there can be small differences between your product and the images in these instructions.

👁 Note!

Please note that during storage and transport, especially at high ambient temperature, some of the oil and grease used for assembly may leak and stain the packaging. This will not cause damage to the product, wipe off the excessive oil or grease with a cloth.

👁 Note!

Before you install this product, check the kit contents. If anything is missing, please contact an Öhlins dealer.

⚠ Warning!

Before you install this product, read the Öhlins Owner's manual. This product is an important part of the vehicle and the vehicle stability.

👁 Note!

If your vehicle is equipped with OEM electronic shock absorbers, use Öhlins cancellation kit to avoid error messages.

Shock Absorber kit for Mercedes-Benz AMG A45 W176

MES MV00S1

Mounting Instructions



MOUNTING INSTRUCTIONS

⚠ Warning!

It is advisable to have an Öhlins dealer install the shock absorber.

When installing, read your Vehicle Service Manual.

1

Raise the vehicle and put it on jack stands.

⚠ Warning!

Ensure that it is securely supported.

2

Remove the front wheels.

3

Loosen the bolts for the anti roll-bar and the lower strut attachments.

⚠ Caution!

Support the wheel hubs in an appropriate way on each side of the vehicle so that the brake hoses can not be damaged.

4

Loosen the upper attachments. Remove the original struts from the car.

5

Cut the dust boot 20 mm from the lower end with a pair of scissors according to fig 1.

6

Install the dust boot (2), the plastic spacer (3), the spring (4), the elastic spacer (5), the upper spring seat (6), the top pin spacer (7), the OE top mount and the M12 lock nut (8) according to fig 2. Tighten the lock nut to 40 Nm.

👁 Note!

When tightening the top mount nut, the shock absorber shaft must be held in position with a 6 mm Allen key.

Fig. 1

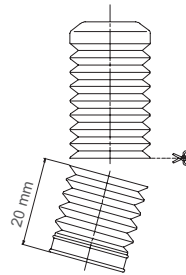
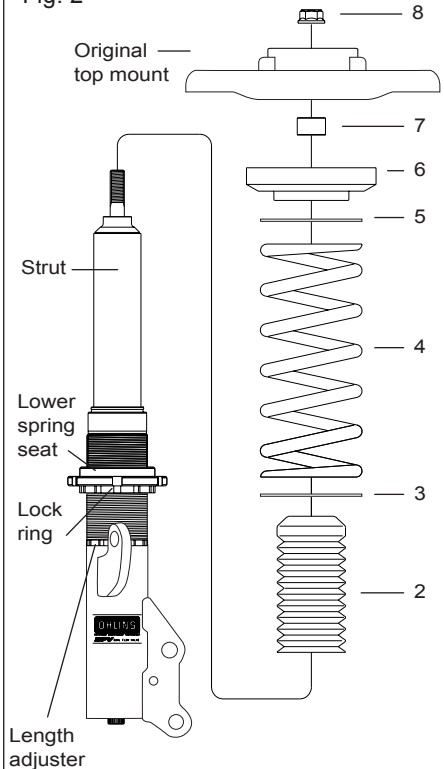


Fig. 2



MOUNTING INSTRUCTIONS

7

Position the length adjuster, lower spring seat and the lock ring according to fig 4 and tighten with the c-spanner and the length adjuster by hand (will be torqued when mounted on the car).

8

Install the Öhlins McPherson struts on the vehicle and fasten the upper and lower attachments.

9

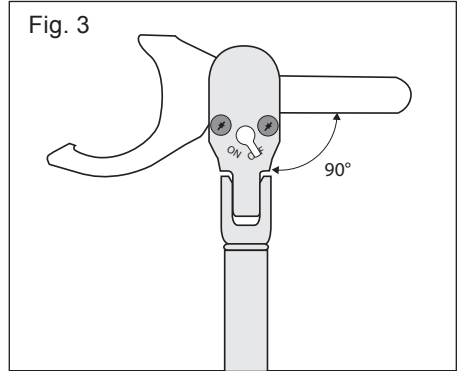
With the Öhlins McPherson strut installed on the vehicle, tighten the length adjuster lock ring with the c-spanner to 120 Nm according to Fig. 3.

Note!

Make sure that all bolts are tightened to the correct torque and that nothing fouls or restricts movement of the strut when it is being fully compressed or extended. Test this over the whole steering range from lock to lock.

10

Make sure that all removed parts are reinstalled in the same way as they were before the installation of the Öhlins shock absorber.



ADJUSTMENTS

⚠ Warning!

Before driving, always make sure that the basic settings made by Öhlins are according to recommended Set-up Data. Read about adjustments and setting up in the Öhlins Owner's Manual before you make any adjustments. Contact an Öhlins dealer if you have any questions about setting up the shock absorber.

The preload is 2 mm from a free length of 200 mm, giving 198 mm installed length, see fig 4.

SETUP DATA

Recommended set-up

Setting adjustment		
Track	0-7	clicks
Winding road	5-10	clicks
Street	10-20	clicks
Spring preload	2	mm
Length adjuster	30	mm

Recommended spring

47010-23 (80N/mm)

The actual vehicle height

With the spring preload adjuster and length adjuster set to the recommended position, the vehicle is lowered approximately 20 mm when compared to the original suspension. Depending on car model and equipment, the spring preload and vehicle height may vary. As the preload or length adjuster is turned one rotation, the position moves 1,5 mm. Adjust the

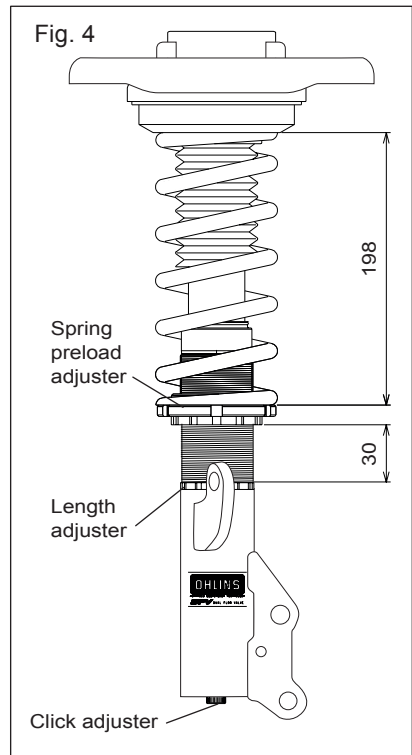
Öhlins products are subject to continuous improvement and development, therefore, although these instructions include the most up-to-date information available at the time of printing, minor updates may occur.

To find the latest information contact an Öhlins distributor. Please contact Öhlins if you have any questions regarding the contents in this document.

Part no. MI_MES MV00S1_front
Issued 2022-11-29

© Öhlins Racing AB. All rights reserved. Any reprinting or unauthorized use without the written permission of Öhlins Racing AB is prohibited.

Öhlins Racing AB
Box 722
S-194 27 Upplands Väsby, Sweden
Phone +46 8 590 025 00
fax +46 8 590 025 80



spring preload or length adjuster until you have reached your desired ride height. Make sure that the spring is always preloaded.

⚠ Warning!

The height adjustment range is the standard position -5/+10 mm, the spring preload adjustment range is 0-14 mm. Never adjust the spring preload beyond 14 mm preload as that may cause the spring to coil bind.



www.ohlins.com



👁 Note!

Please note that there can be small differences between your product and the images in these instructions.

👁 Note!

Please note that during storage and transport, especially at high ambient temperature, some of the oil and grease used for assembly may leak and stain the packaging. This will not cause damage to the product, wipe off the excessive oil or grease with a cloth.

Kit Contents

	Description	Part No	Pcs
1	Shock absorber rear	MES 6V00	2
2	End eye spacer	24629-63	4
3	Dust boot	10216-03	2
4	Tie-rap	00231-02	4
5	Top pin spacer	24629-64	2
6	Lock nut	24626-01	2
7	Rubber seat	25601-04	2
8	Spring seat adjuster	24651-14	2
9	Lock ring M52	24636-03	2
10	Spring seat M52	24635-03	2
11	Plastic spacer	25602-01	2
12	Spring	47040-35	2
13	Upper spring seat	25618-05	2

👁 Note!

Before you install this product, check the kit contents. If anything is missing, please contact an Öhlins dealer.

⚠ Warning!

Before you install this product, read the Öhlins Owner's manual. This product is an important part of the vehicle and the vehicle stability.

👁 Note!

If your vehicle is equipped with OEM electronic shock absorbers, use Öhlins cancellation kit to avoid error messages.

Shock Absorber kit for Mercedes-Benz AMG A45 W176

MES MV00S1

Mounting Instructions



MOUNTING INSTRUCTIONS

⚠ Warning!

It is advisable to have an Öhlins dealer install the shock absorber. When installing, read your Vehicle Service Manual.

1

Raise the vehicle and put it on jack stands.

⚠ Warning!

Ensure that it is securely supported.

2

Remove the rear wheels.

3

Remove the lower and the upper attachments and remove the original shock absorbers.

4

Remove the spring together with lower and upper spring seats.

5

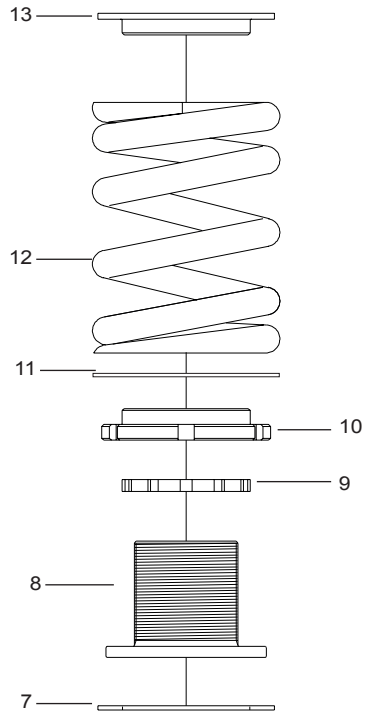
Mount the lock ring (9) and spring seat (10) on the spring seat adjuster (8) according to fig 1. Adjust the spring seat (10) position according to fig 3. Tighten the spring seat (10) and lock ring (9) with the c-spanners.

6

Spring assembly installation:

Spring Assembly installation: Mount the rubber seat (7) and the spring preload adjuster assembly in the control arm. The plastic spacer (11), the spring (12), the upper spring seat (13) according to fig 1.

Fig. 1



MOUNTING INSTRUCTIONS

👁 **Note!**

The spacer (5) is only used if the car has OEM electronic suspension.

7

Set the shock absorber length with the length adjuster according to fig 3, tighten the lock ring to 50-60 Nm. Mount the dust boot (3) with the tie raps (4), the spacer (5) (Only used for cars with electronic suspension) and the OE top mount with the lock nut (6) according to fig 2. Tighten the lock nut to 30 Nm.

8

Install the Öhlins shock absorbers on the vehicle.

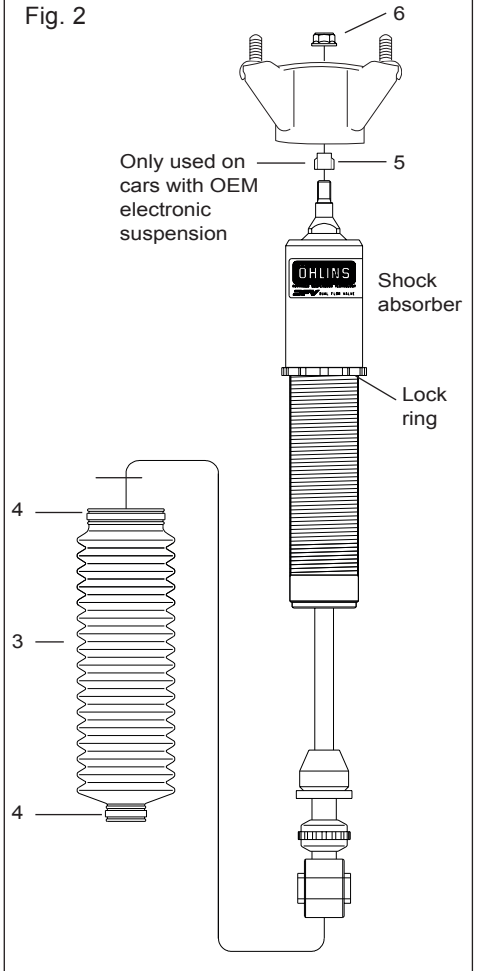
9

Make sure that all removed parts are reinstalled in the same way as they were before the installation of the Öhlins shock absorber.

👁 **Note!**

Make sure that all bolts are tightened to the correct torque and that nothing fouls or restricts movement of the shock absorber when it is being fully compressed or extended.

Fig. 2



ADJUSTMENTS

⚠ Warning!

Before driving, always make sure that the basic settings made by Öhlins are according to recommended Set-up Data. Read about adjustments and setting up in the Öhlins Owner's Manual before you make any adjustments. Contact an Öhlins dealer if you have any questions about setting up the shock absorber.

SETUP DATA

Recommended set-up

Setting adjustment		
Track	0-7	clicks
Winding road	5-10	clicks
Street	10-20	clicks
Length adjuster (X) cars with electronic suspension	200	mm
Length adjuster (X) cars without electronic suspension	205	mm

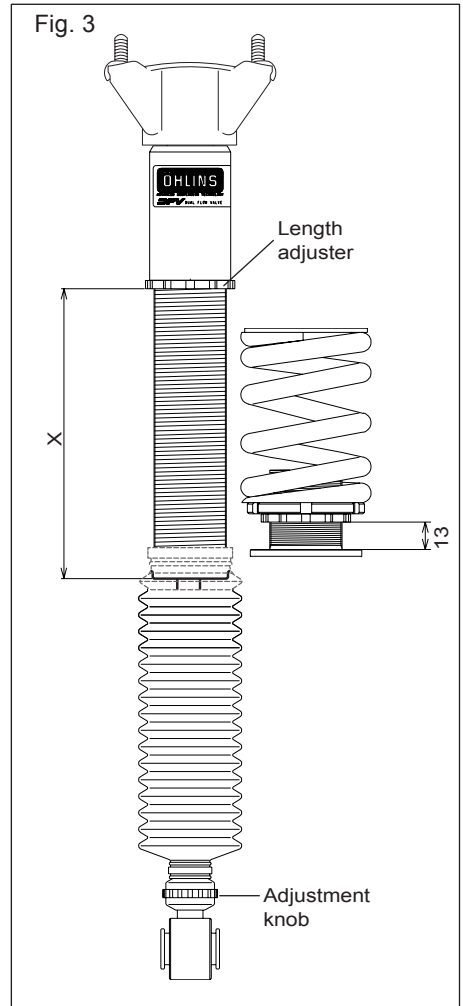
Recommended spring

47040-35 (110N/mm)

Vehicle Height

With the spring preload adjuster set to the Recommended position, the vehicle is lowered approximately 20 mm when compared to the original suspension. Depending on car model and equipment, the spring preload and vehicle height may vary. As the height adjuster is turned one rotation, the vehicle height moves approximately 2 mm. Adjust the spring preload with the height adjuster until you have reached your desired ride height. Make sure that the spring is always preloaded.

Fig. 3



Öhlins products are subject to continuous improvement and development, therefore, although these instructions include the most up-to-date information available at the time of printing, minor updates may occur.

To find the latest information contact an Öhlins distributor. Please contact Öhlins if you have any questions regarding the contents in this document.

Part no. MI_MES MV00S1_rear
Issued 2022-11-29

© Öhlins Racing AB. All rights reserved. Any reprinting or unauthorized use without the written permission of Öhlins Racing AB is prohibited.

Öhlins Racing AB
Box 722
S-194 27 Upplands Väsby, Sweden
Phone +46 8 590 025 00
fax +46 8 590 025 80



www.ohlins.com